



KLIMA-FLEX 2 ROD LINK

Rod link for Klima-flex 2. In the Klima-flex 2 system you can combine a safety catch, rod link and/or inside security handle with the inside roller cam.

With the use of rod links and interlink rods (Index Code 2-313a), you can also connect latching points to other latching points, allowing you to operate several latching points with one handle.

VDI
6022

MATERIAL

Rod link: Steel, zinc plated

Rod connection: Zinc die cast, zinc plated

Screw: Steel, zinc plated

RELATED PRODUCTS

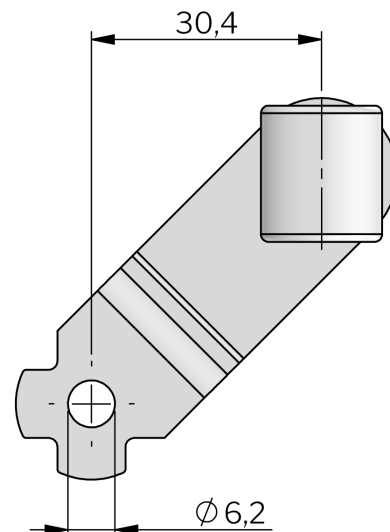
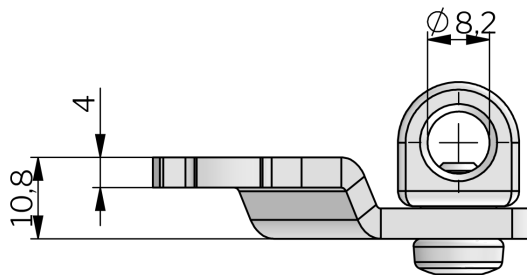
Interlink rods: 2-313a

Inside options: 2-315c

Use the Index Code at industrilas.com

TECHNICAL INFORMATION

Standards: VDI 6022



Industrilas
— When access counts —

P/N

2651-902001

Description

Rod link Klima-flex 2